

- QC QA solutions on hoses, oil & gas equipment and other pressure containing objects



**Test certificate: 16** Page: 1/2

**Customer**  
 Customer:  
 Street Address:  
 City:  
 Postal/Zip code:

**Object**  
 Object: 45T-1000  
 Serialnumber: S. No: 123  
 Test medium: WATER

**Test date:** 19-06-2020  
**Customer ref:** Customer Ref  
**Projectnumber:** Project X  
**Operator:** A. Robben  
**Transmitter:** 0612993  
**Calibration Date:** 31-3-2020

Test	Time	Pressure	Temperature
1. Test	Start	1007,16 bar	21,1 °C
	Stop	1002,02 bar	21,11 °C
	Result AP	5,14 bar 0,51 %	-0,01 °C -0,05 %
2. Test	Start	1007,82 bar	21,14 °C
	Stop	1004,01 bar	21,17 °C
	Result AP	3,81 bar 0,38 %	-0,03 °C -0,14 %

Signature: \_\_\_\_\_  
 A. Robben  
 Signature third party witness: \_\_\_\_\_  
 Mr. Van Gaal



Generating test certificates professional, fast and easy  
**EasyLogging**  
 From -1 up to 5.000 Bar (72.500 psi)

# What does EasyLogging achieve for you?

EasyLogging generates a digital test certificate in A4 format including graph. When customer and hose (object) data is entered from the database (which is included) the certificate is generated in less than 10 seconds.

It is the perfect solution when professional storage of test data is a requirement.

The system is self-containing. It only needs a desktop or laptop to be installed on. EasyLogging is suitable to handle water, oil or water-oil, water-glycol emulsions and inert gases, as a high pressure medium. For other fluids or gases please contact Itensify.

For all the technical details the EasyLogging specification sheet/workflow is leading. You will receive this sheet automatically when a system is offered to you. By Itensify or via your local reseller. This leaflet helps you to make the right choices. Both in EasyLogging as in the many options to further improve your solution.

EasyLogging is a stand-alone system. You can however integrate EasyLogging with:

- Automatic testing and certificate generation/storage via Itensify Advanced Touchcontrol and ProSoftware;
- Automatic test-order generation, testing and certificate generation/storage via ProSoftware and your ERP system;

EasyLogging is providing you the perfect solution to your digitalization.



**Save operational costs**



**Clear and easy operation**



**Accurate pressure measurement**



**Fast**

## SAFETY

- Pressure sensor with the right high pressure connection.
- Optional longer cable between sensor and operation.

## ERGONOMICS

- Fast and easy generating of complete test certificates.
- Generating of individual certificates when testing multiple identical objects in one test run. (Optional)



## QUALITY

- Continuity through high quality, simple and smart system set up.
- Accurate pressure reading via high quality pressure sensor.
- Automatic digital storage of certificates.

## CONCEPT

- Well proven and smart design.
- Many options to optimize your solution.
- Same test certificate layout possible for hand operated and automated systems.

# Select your EasyLogging

Choose the standard EasyLogging in the right pressure range with the standard features and options to optimize your solution with extra options.

Example how to compose the right EasyLogging for you:

From the Technical Table (page 7): EEL 1500

From the listed options (page 4): 041.020, 041.107 and 041.025

Selected is an EasyLogging, pressure range 1500 bar

And optimized with:

041.108: Custom test certificate layout

041.102: Test-order planning

041.020: Extension cable of 5 mtr.

041.030: Adaptor to high pressure system

*Note: Itensify will assure all options are rated for the chosen maximum pressure and fit to your solution.*

## STANDARD FEATURES (are green)

### A. Login on 3 levels:

- Operator allowed testing and unable to feed any data. Option 041.102 is mandatory: create test order list
- Operator allowed testing and feeding data (create test orders)
- Feed data for test certificate and execute test;
- Admin previous level and allowed to change system settings and add users

### B. Data to feed into the certificate;

- Customer from data-base ①
- Object from data-base ②
- Purchase / Sales / Supplier references ③
- You can save time by feeding this data whilst the test is running.

### C. Test analyze of data between 2 markers:

- Pressure change over time. ④
- Temperature change over time. ⑤ (in stand-alone EasyLogging only)

### D. Open text field for remarks, comment or info ⑥

### E. System automatically generates:

- Unique certificate number ⑦
- Date of testing
- Test graph is autoscaling
- Temperature graph of pressure sensor (auto scaling in temperature and time)

### F. Pre-view of certificate before to click 'approve' or 'reject' and have the certificate automatically stored.

### G. Create new test order from previous tests in History files

### H. Fast and easy search filter on all test order and certificate data

### I. Settings

- Chosen file name as standard before the unique certificate nr. Eg: 'test report' followed by unique serial nr. ⑧
- Change logo
- Choice of logging sampling rate from 0,05 sec. and up, meaning less sampling over time
- Pre-define the storage path of the test certificate and auto storage after 'approve' or 'reject'
- Logged in operator name including signature on certificate when chosen ⑨
- Add third party witness ⑩
- Choice of language: Dutch, German, English, Russian, Polish, Norwegian

### J. Back-up and Restore function to either back-up all data or to change or add an EasyLogging desktop or laptop

Page: 1/2

**Test certificate: ⑧ 16 ⑦**

Test date: 19-06-2020

Customer ref: Customer Ref  
Projectnumber: Project X  
Operator: A. Robben ③

Transmitter: 0612993  
Calibration Date: 31-3-2020

**Object**

Object: 45T-1000 ②  
Serialnumber: S\_No: 123  
Test medium: WATER

Work pressure: 500 bar  
Test pressure: 1000 bar  
Max drop: 5 %

Test	Time	Pressure	Temperature ⑤	
1. Test	Start	00:01:28	1007,16 bar	21,1 °C
	Stop	00:02:09	1002,02 bar	21,11 °C
	Result ΔP	00:00:40	5,14 bar 0,51 %	-0,01 °C -0,05 %
2. Test	Start	00:03:54	1007,82 bar	21,14 °C
	Stop	00:04:35	1004,01 bar	21,17 °C
	Result ΔP	00:00:40	3,81 bar 0,38 %	-0,03 °C -0,14 %

Comment: Test Ok ⑥

Signature: A. Robben ⑨

Signature third party witness: Mr. van Gaal ⑩

Tested on Itensify unit with serial number: 20-0000

# Select your EasyLogging

## OPTIONS (are blue)

Check the EasyLogging specification sheet for further explanation and details on the options

### Option 041.101:

Individual certificates when testing multiple objects. Including automatic certificate number generator.

### Option 041.102:

Test-order planning. Prepare and store test-orders on the desktop or laptop connected to the EasyLogging sensor. Operator does not have to feed any data.

### Option 041.103: ①

Remote test-order planning. Prepare and store test-orders from behind your desk on the desktop or laptop connected to the EasyLogging sensor. Operator does not have to feed any data. Option 102 is mandatory

### Option 041.104:

Automatical storage of certificates to any certificate criteria. E.g: Customer name and extra map per order number.

### Option 041.105:

Certificate storage per user e.g.: Production, Service and/or Research.

### Option 041.106:

Certificate prefix automatically adds an identification (e.g. customer, sales ref, object, serial-nr) to the standard unique test certificate number;

### Option 041.107:

Unlimited markers to have detailed analyses of the test curve.

### Option 041.108: ③

Custom test certificate lay-out;

### Option 041.109:

Choice to have the date of sensor calibration on the certificate;

### Option 041.110:

Store sensor data and sensor calibration reports in EasyLogging; Option 041.114 is mandatory

### Option 041.111: ①

Import and Export: Send and receive customer and object data to and from Excel file.

### Option 041.112: ①

Scan orders with basic 2D reader via bluetooth. Option 041.102 is mandatory;

### Option 041.114: ①

ProSoftware offers:

- Execute prepared test-orders automatically;
- Includes a desktop + Screen. Advanced Intensify touch-control has to be installed. EasyLogging is mandatory. Options: 041.103, 041.107 and 041.110 are included.

### Option 041.115: ①

ERP Integration offers:

- Connect your company database to the test unit- and EasyLogging database;
- ERP Integration generates its own test order from the received data and retrieves the results back;
- Options 041.113 + 112 (ProSoftware and barcode) reader are mandatory;

### Option 041.020:

USB extension cable of 5 mtr.

### Option 041.021:

USB extension cable of 10 mtr.

### Option 041.030:

Adaptor: Male- instead of the standard Female connection 9/16-18 UNF-HP.

### Option 041.040:

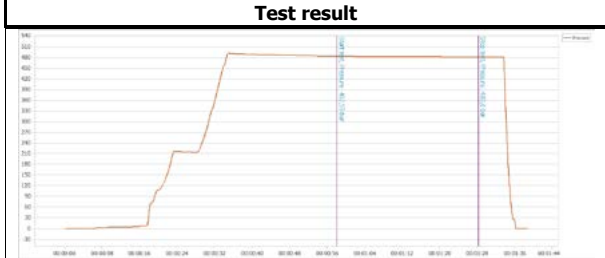
Stainless steel support to hold the laptop. Check the documentation of the units.

## ① Test Protocol

Date: ③  
WO:  
PN:  
Total quantity: ②  
Tested quantity:

Routing data	
Test Bench ID:	Routing Description:
Medium:	Serial:
	Quantity per Batch:

Test data	
Requested pressure test duration (sec.):	30
Requested test pressure value (bar):	480
Tolerance of drop down pressure (%):	5
Minimum pressure to reach (bar):	456

Test result	
	
Reached pressure value (bar):	480,8
Result:	Ok

Final result	
Ok	
Signature:	
Time (SQL time):	
Operator:	

# How to use EasyLogging

EasyLogging can be used as a stand-alone test certificate generator system, as an integrated system with Itensify Advanced TouchControl or as an integrated system with your ERP system.

## A. As a stand-alone test certificate generator system.

- The stand-alone EasyLogging pressure sensor is connected to an Itensify (or any other) high pressure system
- The software has to be installed on the customer's own laptop or desk top PC
- EasyLogging and high pressure system are operated separately.
- During logging (or after logging) you can enter the customer and object data from the Database and complete other required information to the certificate
- Generating test certificates in less than 10 seconds
- As you click 'approved' or 'rejected' the certificate is stored immediately in the pre-defined folder
- Options 041.101 thru 113 are available to further optimize your certificate generation and test process digitalization solution.



## B. As an integrated system with Itensify Advanced TouchControl

- EasyLogging integrated with Itensify Advanced TouchControl high pressure systems.
- Select a test-order from the test-order list and have the system execute the complete test automatically. This includes generating the test certificate. The operator only needs to 'approve' or 'reject' the result.
- Options 041.101 thru 114 are available to further optimize your certificate generation and test process digitalization solution.
- Both Automatic control (Advanced TouchControl) and option 041.114 (ProSoftware) are mandatory:



# How to use EasyLogging

## C. As an integrated system with your ERP system

- The set-up of B (EasyLogging integrated with Itensify Advanced TouchControl high pressure systems) connected to your ERP system;
- ERP Integration generates and stores its own test order from the received data and retrieves the results back;
- Select a test-order from the automatically generated test-order list and have the system execute the complete test automatically. This includes generating the test certificate. The operator only needs to 'approve' or 'reject' the results.
- Options 041.101 thru 115 are available to further optimize your certificate generation and test process digitalization solution.
- Automatic control (Advanced TouchControl) and option 041.114 + 115 (ProSoftware and ERP Integration) are mandatory:

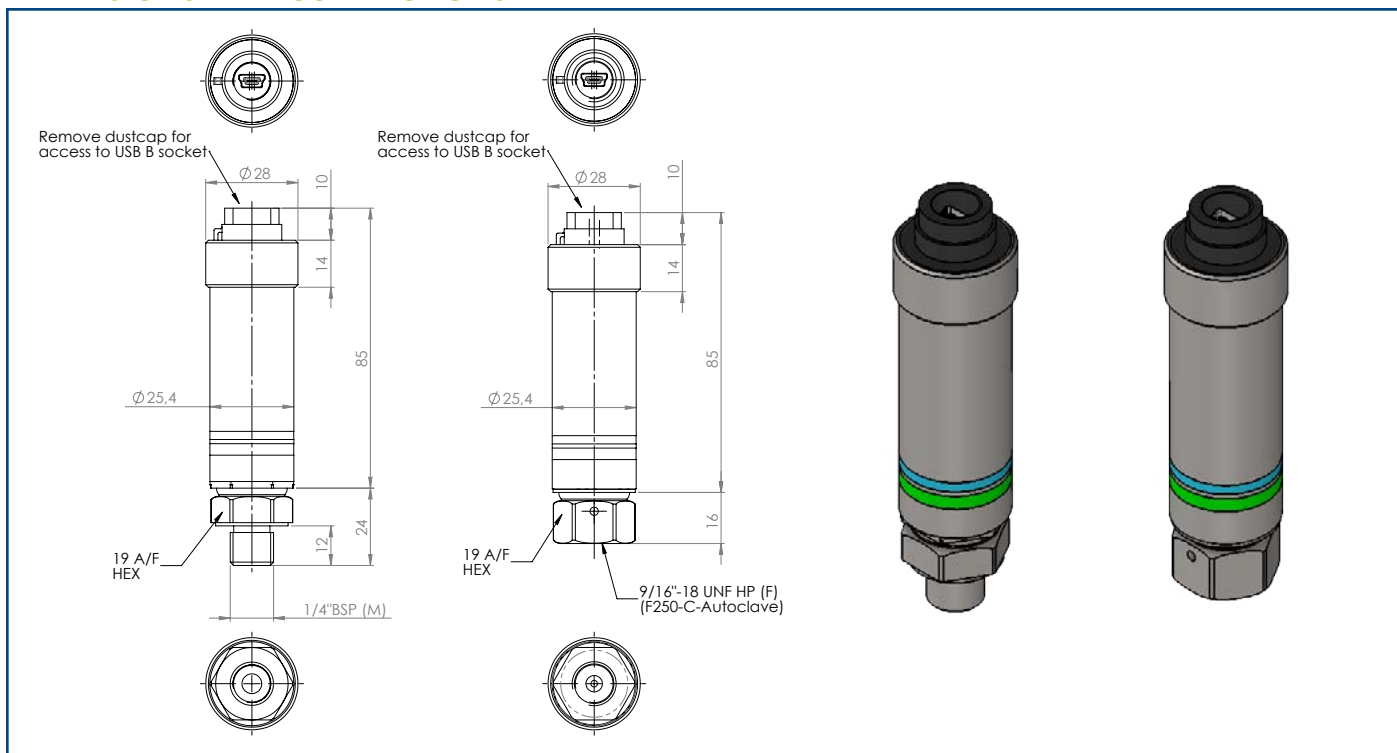


# Technical details

## TECHNICAL TABLE EASY LOGGING

EasyLogging Type	Range		Accuracy		High pressure connection
	bar	psi	bar	psi	
EEL 0002	-1 to 2,5	-15 to 35	0,004	0,1	1/4" BSP (M)
EEL 0016	0 to 16	0 to 230	0,03	0,35	1/4" BSP (M)
EEL 0100	100	0 to 1450	0,2	2,5	1/4" BSP (M)
EEL 0400	400	0 to 5800	0,6	9	1/4" BSP (M)
EEL 1500	1500	0 to 21750	2,5	33	9/16"-18 UNF HP (F)
EEL 2000	2000	0 to 29000	3	44	9/16"-18 UNF HP (F)
EEL 3000	3000	0 to 43500	4,5	66	9/16"-18 UNF HP (F)
EEL 4000	4000	0 to 58000	6	88	9/16"-18 UNF HP (F)
EEL 5000	5000	0 to 72500	8	110	9/16"-18 UNF HP (F)

## DIMENSIONS AND CONNECTIONS



## How is the stand alone EasyLogging delivered?

- The delivery of stand-alone EasyLogging: pressure sensor (choice of range), software on an usb stick and 1,5 mtr. cable.
- All ordered options are installed, connected and tested with the software.
- A user license for the EasyLogging software is applicable. This to maintain and protect the software.
- The stand alone EasyLogging is installed when ordered with a new Itensfy system. If ordered for any other high pressure system the installation is not included.
- ProSoftware and ERP Integration versions B and C are always installed.
- With 12 month guarantee, manual, workflow and calibration certificate. The license has to be renewed yearly.
- According CE marking.

# Who is Itensify?

Itensify is fully specialized in turnkey test solutions up to 10,000 bar. What Itensify distinguishes is:

- Fast, accurate and economical testing due to the unique E-Drive system up to 10.000 bar.
- This solution includes low noise level, low cost of maintenance and low use of energy.
- Itensify will deliver a total and turnkey solution. This includes a wide choice of test units, data input and output and quick connection of test object.
- Air-driven systems are offered for less severe applications.



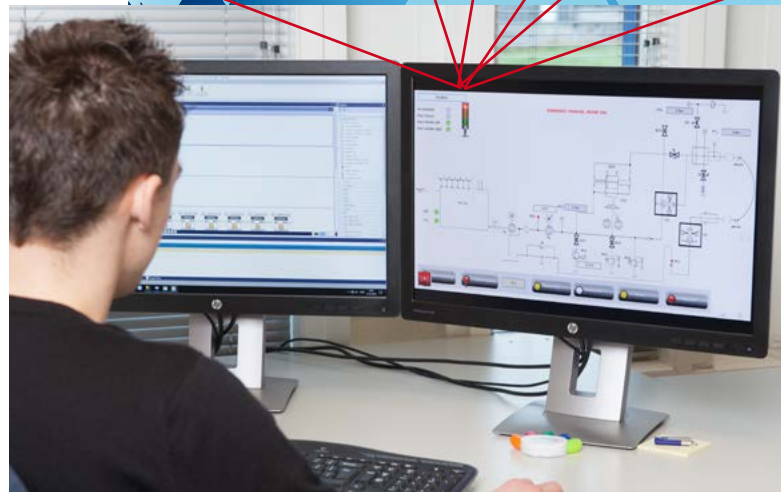
## Itensify products and services

Itensify offers a range of high pressure systems. This range varies from portable (compact lightweight) to moveable (trolley) for workshop use. The systems can be used as stand-alone or attached to a test room or test-pit.

Options can be added to Itensify's standard units to optimize the test process. Units can be operated by hand or automatically.

Our RSC (Remote Safety Control) operation provides an operation panel without pressure lines. The high pressure unit is placed inside the test room or pit. As being a typical test solution for oil and gas. Itensify also offers a range of units with an integrated test room.

Itensify has its own (online) service, software, installation and maintenance organization. This includes re-calibration service with a dead-weight tester.



DEALER / DISTRIBUTOR



Itensify BV  
De Hemmen 19  
9206AG Drachten  
Holland

T: 0031 (0) 561 613100  
E: info@itensify.eu  
W: itensify.eu

